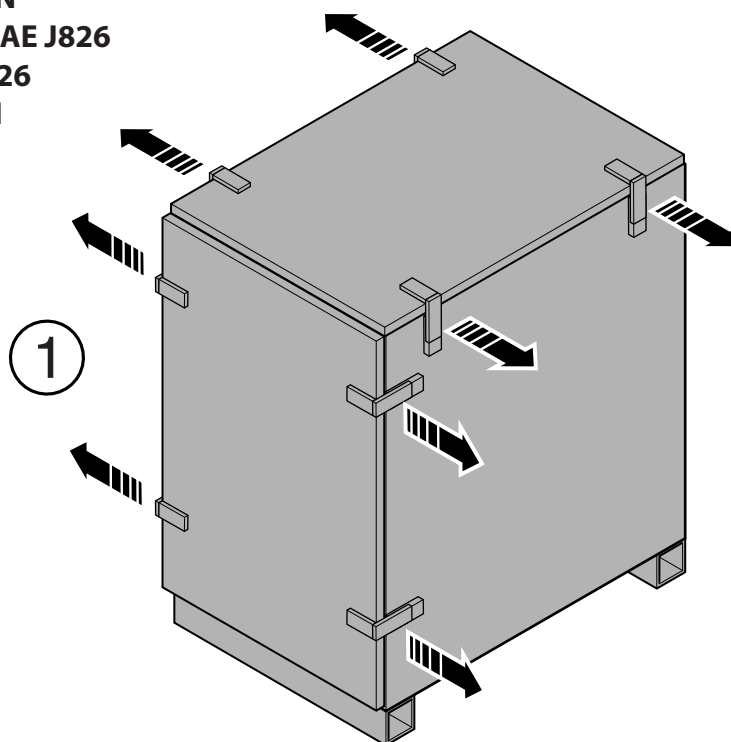


The SAE J826 H-Point Manikin
Der SAE J826 H-POINT MANIKIN
MANNIQUIN POINT-H HOMOLOGUÉ SAE J826
IL MANICHINO PUNTO-H SAE J826
Maniquí SAE J826 con punto H

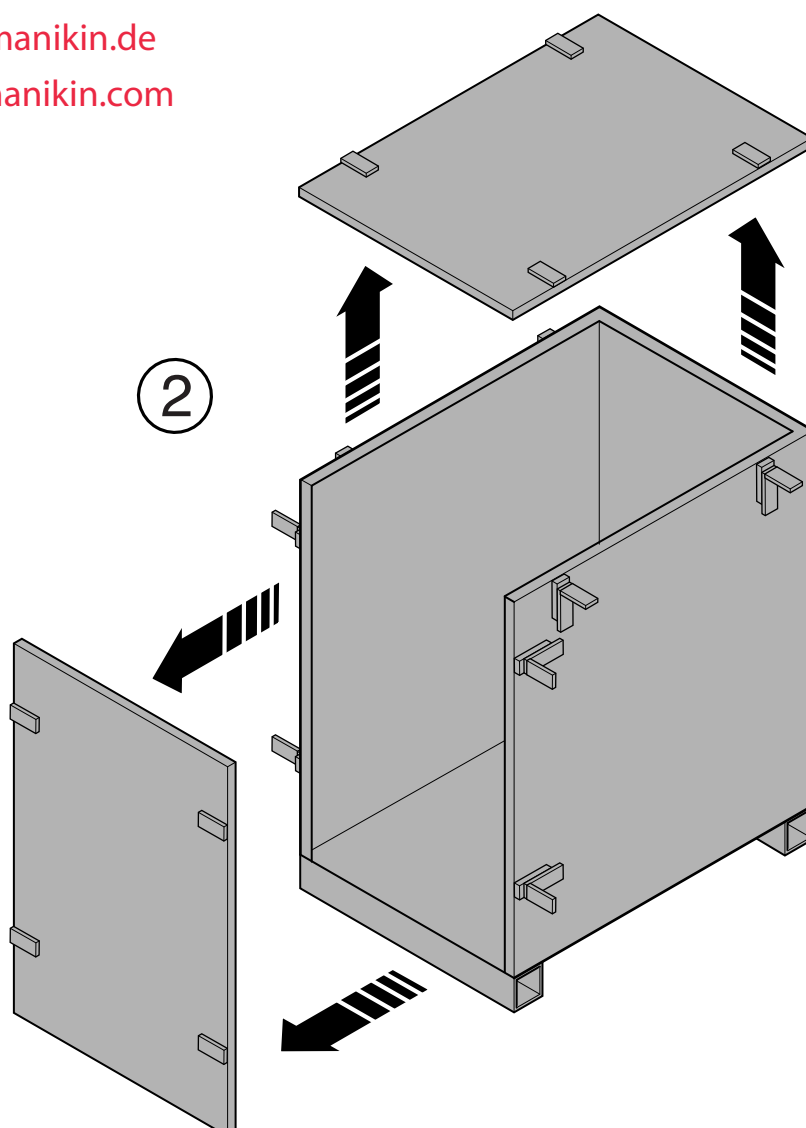


Internet

<http://www.sae-j826.com>

<http://www.h-point-manikin.de>

<http://www.h-point-manikin.com>



The SAE J826 H-Point Manikin
Der SAE J826 H-POINT MANIKIN
MANNIQUIN POINT-H HOMOLOGUÉ SAE J826
IL MANICHINO PUNTO-H SAE J826
Maniquí SAE J826 con punto H

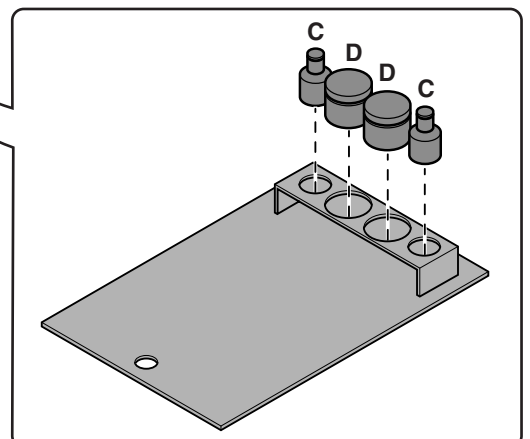
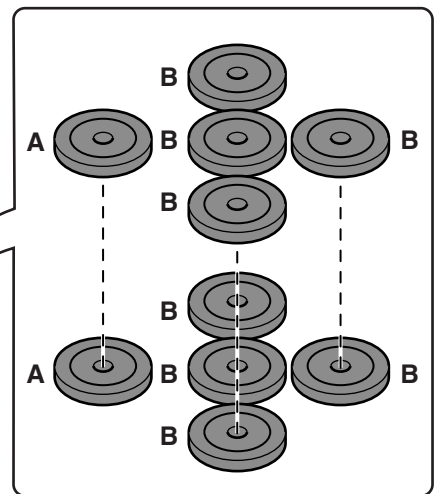
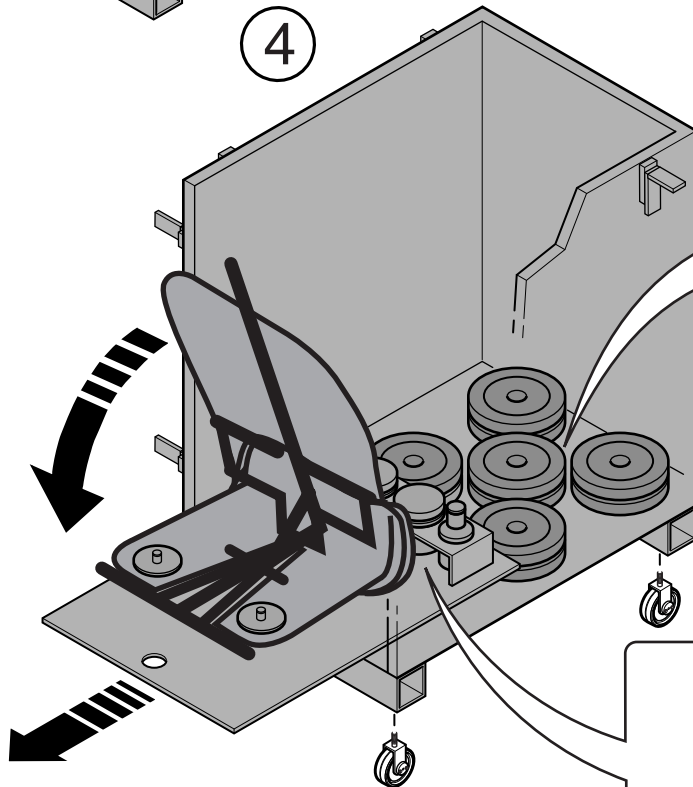
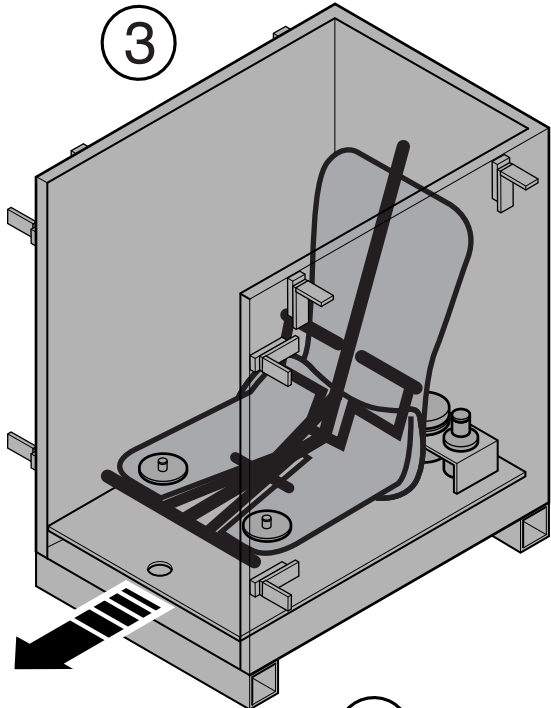
A = 2 Torso Weights a 3,93 kg
 B = 8 Buttock Weights a 3,93 kg
 C = 2 Leg Weights a 1,23 kg
 D = 2 Thigh Weights a 3,42 kg

A = 2 Torso Gewichte a 3.93 Kilogramm
 B = 8 Hinterteilgewichte a 3.93 Kilogramm
 C = 2 Bein Gewichte a 1.23 Kilogramm
 D = 2 Schenkelgewichte a 3.42 Kilogramm

A = 2 Torso pèse a 3.93 kilogrammes
 B = 8 poids de fesses a 3.93 kilogrammes
 C = la jambe 2 pèse a 1.23 kilogrammes
 D = 2 poids de cuisse a 3.42 kilogrammes

A = 2 Torso pesare i 3.93 chilogrammi
 B = 8 pesi della natica un 3.93 chilogrammi
 C = piedino 2 pesare un 1.23 chilogrammo
 D = 2 pesi della coscia i 3.42 chilogrammi

A = 2 Torso carga 3.93 kilogramos
 B = 8 pesos de la nalga a los 3.93 kilogramos
 C = la pierna 2 carga 1.23 kilogramos
 D = 2 pesos del muslo 3.42 kilogramos



- 4 Castors
- 4 Leichtlaufrollen
- 4 Roulettes
- 4 Rotelle
- 4 Echadores

